

HULK® SERIES KDL DOCK LIFT - PIT MOUNTED L I F T P R O D U C T S S P E C I F I C A T I O N S

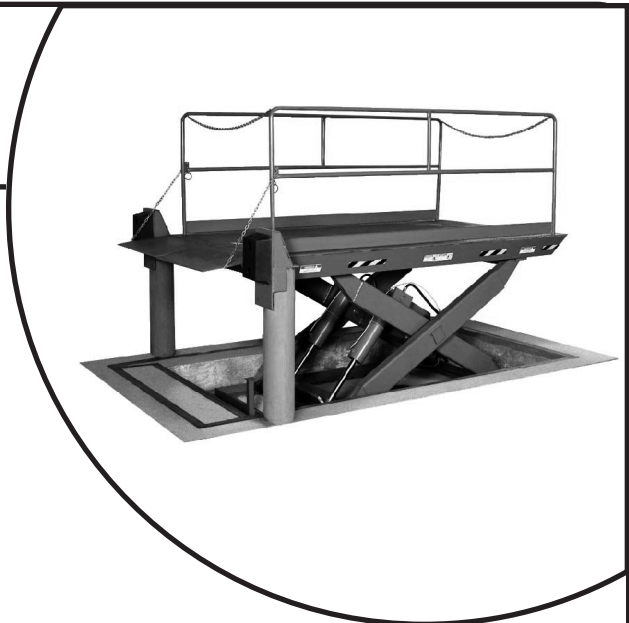


Design Highlights

- High Tensile Strength, Structural Tubing Construction for Maximum Stability
- Dual Lifting Cylinders for Optimum Performance
- Velocity Fuses on Lift Cylinders Prevent Lift from Free Falling in the Event of Hydraulic Failure
- Pre-wired NEMA-4X Push Button Control Panel
- Versatile, Split Entry Plates with Lifting Chains
- Removable, Mandrel Formed Tubing Handrails
- Maintenance Strut
- Removable Lifting Lugs
- Meets ANSI MH29.1 Safety Requirements for Industrial Scissor Lifts
- Upper Travel Limit Switch
- Oil Sight Gauge in Hydraulic Reservoir
- Self-lubricating Bushings
- Standard 25' Hydraulic Hose
- Low Temperature Oil
- Two-year Parts, One-year Labor Limited Warranty
- UL Approved Panel

Project Information

Job Name _____
 Address _____
 General Contractor _____
 Distributor _____
 Model _____ Quantity _____ Voltage/Phase _____



Available Options

- Electric Toe Guards
- Aluminum Bridge Plates
- Post Office Option Package
- Hot Dipped Galvanized
- Spring-assisted Bridge
- In-motion Warning Beeper and Flashing Light
- Roller Curtains
- Accordion Bellow Skirting
- Hydraulic Pop-up Stop
- Mechanical Pop-up Stop
- Hydraulic Lip
- Biodegradable Oil
- Special Sizes
- Other _____

HULK® SERIES KDL DOCK LIFT - PIT MOUNTED

L I F T P R O D U C T S S P E C I F I C A T I O N S



Model No.	Travel [in]	Capacity [lb]	Standard Platform [in]	Max. End Load [lb]	Max. Side Load [lb]	Lowered Height [in]	HP	Raise Lower Speed [fpm]	Ship Wt. [lb]
KDL48-4	60	4,000	48 x 96	3,000	2,000	12	5	16	2,450
KDL48-5	60	5,000	48 x 96	3,750	2,500	12	5	15	2,550
KDL48-6	60	6,000	48 x 96	4,500	3,000	12	5	15	2,575
KDL48-8	60	8,000	48 x 96	6,000	4,000	14	5	10	3,320
KDL58-4	60	4,000	60 x 96	3,000	2,000	12	5	16	2,400
KDL58-5	60	5,000	60 x 96	3,750	2,500	12	5	15	2,400
KDL58-6	60	6,000	60 x 96	4,500	3,000	12	5	15	2,450
KDL58-8	60	8,000	60 x 96	6,000	4,000	14	5	10	3,700
KDL68-5	60	5,000	72 x 96	3,750	2,500	12	3	12	2,850
KDL68-6	60	6,000	72 x 96	4,500	3,000	12	5	15	2,900
KDL68-8	60	8,000	72 x 96	6,000	4,000	14	5	10	3,350
KDL69-4	60	4,000	72 x 108	3,000	2,000	12	5	16	2,850
KDL69-5	60	5,000	72 x 108	3,750	2,500	12	3	12	2,950
KDL69-6	60	6,000	72 x 108	4,500	3,000	12	5	15	3,050
KDL69-8	60	8,000	72 x 108	6,000	4,000	14	5	10	4,000
KDL610-5	60	5,000	72 x 120	3,750	2,500	12	3	12	3,050
KDL610-6	60	6,000	72 x 120	4,500	3,000	12	5	15	3,150
KDL610-8	60	8,000	72 x 120	6,000	4,000	14	5	10	4,150
KDL78-4	60	4,000	84 x 96	3,000	2,000	12	5	16	2,710
KDL78-5	60	5,000	84 x 96	3,750	2,500	12	5	15	2,750
KDL78-6	60	6,000	84 x 96	4,500	3,000	12	5	15	2,825
KDL78-8	60	8,000	84 x 96	6,000	4,000	14	5	10	4,000
KDL79-5	60	5,000	84 x 108	3,750	2,500	12	5	15	2,860
KDL79-6	60	6,000	84 x 108	4,500	3,000	12	5	15	2,925
KDL79-8	60	8,000	84 x 108	6,000	4,000	14	5	10	4,200
KDL710-5	60	5,000	84 x 120	3,750	2,500	12	5	15	2,900
KDL710-6	60	6,000	84 x 120	4,500	3,000	12	5	15	2,900
KDL710-8	60	8,000	84 x 120	6,000	4,000	14	5	10	4,340
KDL88-5	60	5,000	96 x 96	3,750	2,500	12	3	12	2,850
KDL88-6	60	6,000	96 x 96	4,500	3,000	12	5	15	4,170
KDL88-8	60	8,000	96 x 96	6,000	4,000	14	5	10	3,400
KDL89-5	60	5,000	96 x 108	3,750	2,500	12	5	15	2,920
KDL89-6	60	6,000	96 x 108	4,500	3,000	12	5	15	3,000
KDL89-8	60	8,000	96 x 108	6,000	4,000	14	5	10	4,360
KDL810-5	60	5,000	96 x 120	3,750	2,500	12	3	12	3,150
KDL810-6	60	6,000	96 x 120	4,500	3,000	12	5	15	3,150
KDL810-8	60	8,000	96 x 120	6,000	4,000	14	5	10	4,540