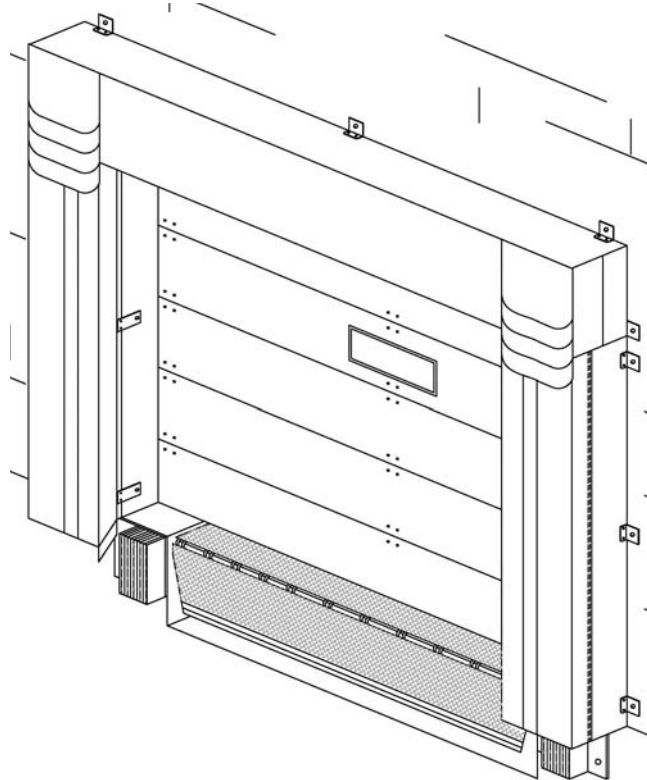




4Front Entrematic
W183 S8253 Racine Avenue
Muskego, WI 53150
Tel: (262) 679-6200
Fax: (262) 679-6210

IRONSIDE HEAD PAD DOCK SEALS



SERCO STEEL® GALVANIZED STEEL FRAMING INSTALLATION INSTRUCTIONS

FORM NO: 4F-IDS-HP-3/16



WARNING

Do not install this product unless you read and understand the Warnings and Installation Instructions contained in this manual. Failure to do so could result in serious injury or death.

Serco IRONSIDE HEAD PAD® dock seals are custom built for each application. Installation procedures are the same for all IRONSIDE HEAD PAD dock seals regardless of size. Installation requires two people and a forklift truck or similar device to lift and position the pads.



Improper installation of anchoring devices or installation into aged or unsound concrete or other faulty or inadequate building wall construction could result in serious injury or death, as well as premature product wear, product failure, or property damage.

Inadequate lifting equipment or unsafe practices can cause a load to fall unexpectedly. Make sure lifting devices are in good condition and have a rated capacity of at least 500 lbs. at the lifting angle that they are being used. Never allow anyone to stand on or near the dock seal component when it is lifted or placed. Failure to follow this warning can allow the dock seal to fall, tip or swing into people causing serious injury or death. Safety standards as described in this installation manual must be followed at all times. If you have any questions contact your supervisor or your local Kelley distributor for assistance.

Assembly of components should be performed in such a way so as to maintain cleanliness of equipment before final installation. Lifting equipment to be determined by installer (man lift and forklift or boom lift are typical). Wear safety glasses, gloves, hard hats, safety shoes and all necessary protective clothing.

WARRANTY

4Front Entrematic expressly warrants that this Dock Seal or Shelter will be free from defects in materials and workmanship under normal use for a period of one (1) year from the earlier of 1) 60 days after date of shipment by 4Front Entrematic or 2) the date of installation of the Dock Seal or Shelter by the original purchaser, provided the product is properly applied and installed. In the event this Dock Seal or Shelter proves defective in material or workmanship, 4Front Entrematic will, at its option:

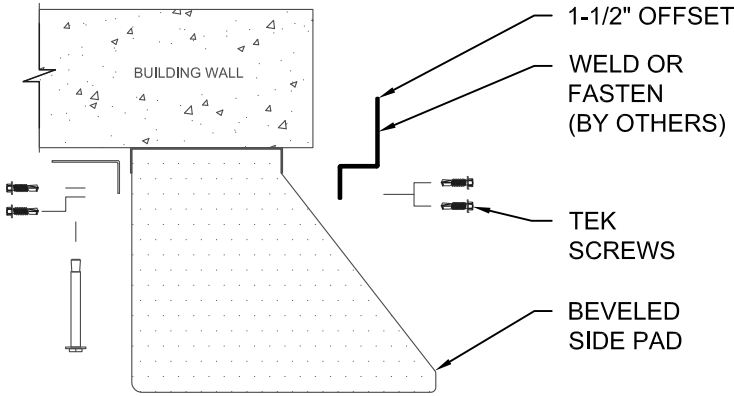
- 1. Replace the Dock Seal or Shelter or the defective portion thereof without charge to the purchaser; or*
- 2. Alter or repair the Dock Seal or Shelter, on site or elsewhere, without charge to the purchaser.*

The warranty stated in the preceding paragraph is the sole and exclusive warranty for this product AND IS IN LIEU OF ALL OTHER GUARANTEES AND WARRANTIES, EXPRESS OR IMPLIED. This warranty does not cover any failure caused by improper installation or application, abuse, or negligence. Parts requiring replacement due to damage resulting from vehicle impact, abuse or improper installation are not covered by this warranty. Seller assumes no responsibility or liability for (1) consequential damages of any kind which result from the use or misuse of the Dock Seal or Shelter, (2) damage or failure resulting from the use of unauthorized replacement parts or modification of the Dock Seal or Shelter; (3) damage resulting from the misuse of the Dock Seal or Shelter. THERE ARE NO WARRANTIES, EXPRESS OR IMPLIED, WHICH EXTEND BEYOND THE DESCRIPTION ON THE FACE HEREOF, AND THERE IS NO WARRANTY OF MERCHANTABILITY OR OF FITNESS FOR A PARTICULAR PURPOSE

DryDock, Serco, Serco Steel, SnapBack, Ultra Dock Shelter, Ultra Seal, XL-90 are registered trademarks of 4Front Entrematic.

DOCK SEAL SIDE PAD MOUNTING BRACKETS

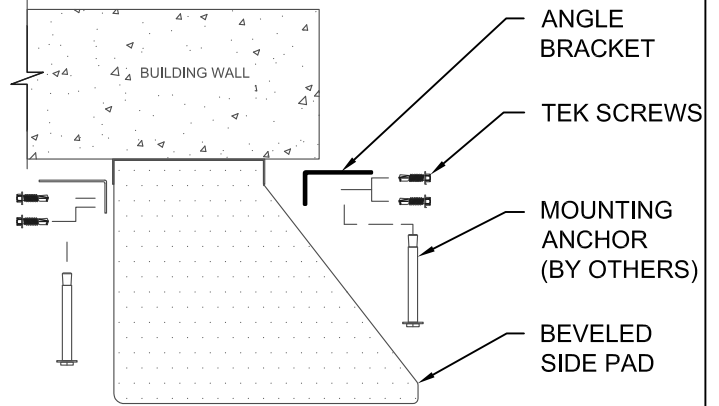
1-1/2" OFFSET BRACKET



HOLES FOR TEK SCREW, TYP.

3/4"Ø HOLE FOR ANCHOR

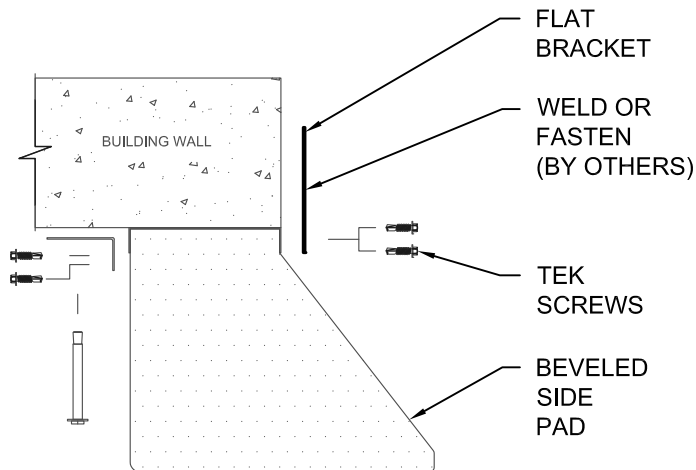
ANGLE BRACKET



HOLES FOR TEK SCREW, TYP.

3/4"Ø HOLE FOR ANCHOR

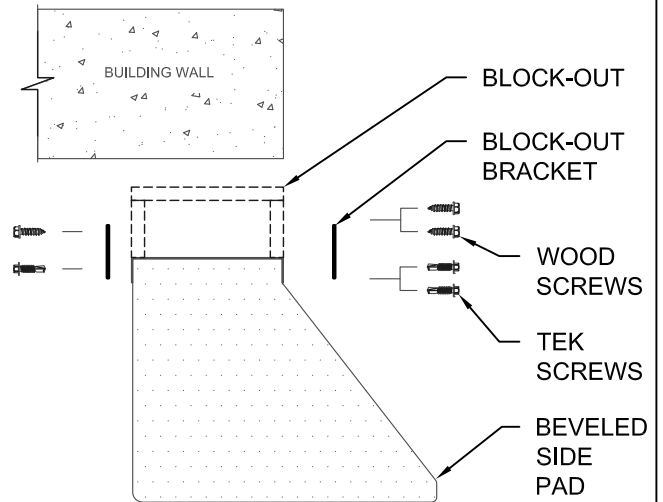
FLAT BRACKET



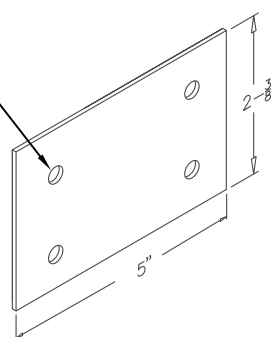
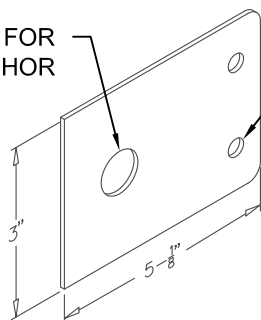
3/4"Ø HOLE FOR ANCHOR

HOLES FOR TEK SCREWS, TYP.

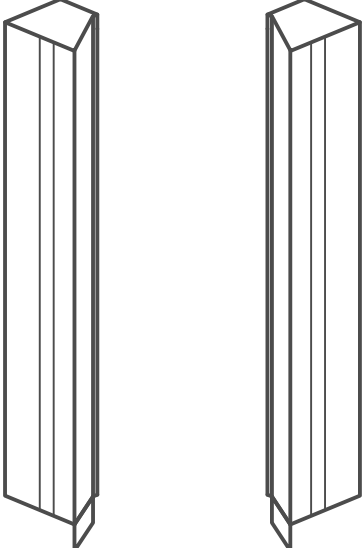
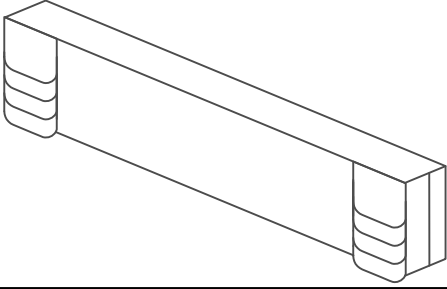
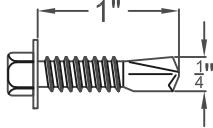
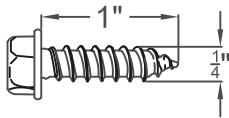
BLOCK-OUT BRACKET



HOLES FOR TEK/WOOD SCREW, TYP.

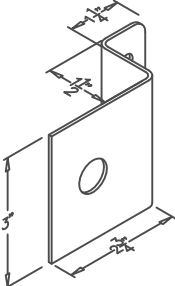
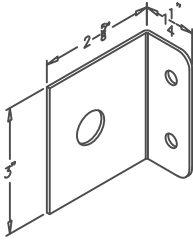
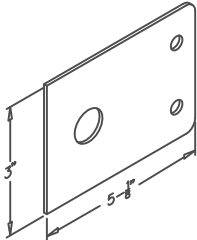
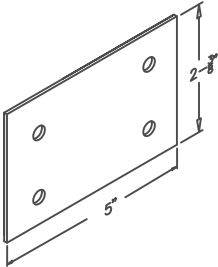
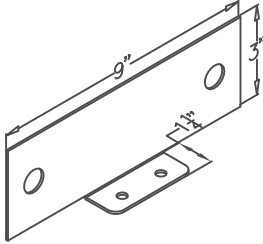


STANDARD PARTS LIST PER DOCK DOOR

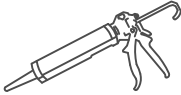


(1) LEFT & (1) RIGHT SIDE PAD	(1) HEAD PAD	
		
(36) TEK SCREWS	(12) WOOD SCREWS	FOR OPTIONAL BLOCK-OUT BRACKET
		
P/N: T31163	P/N: T70009-12	

MOUNTING BRACKETS

(BRACKETS VARY BASED ON APPLICATION)

1-1/2" OFFSET	ANGLE BRACKET	FLAT BRACKET
		
P/N: T31149	P/N: T31104	P/N: T31103
BLOCK-OUT BRACKET	HEAD PAD BRACKET	
		
P/N: T31179	P/N: T31161	

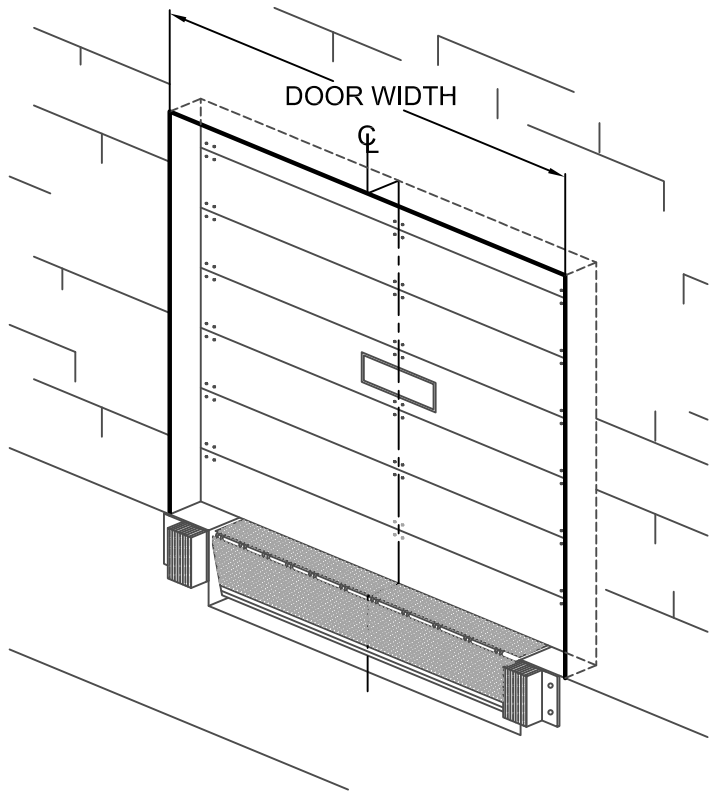
SUPPLIED BY OTHERS

CAULK GUN	SILICONE CAULK	WALL ANCHOR
		

SUGGESTED MOUNTING METHODS:

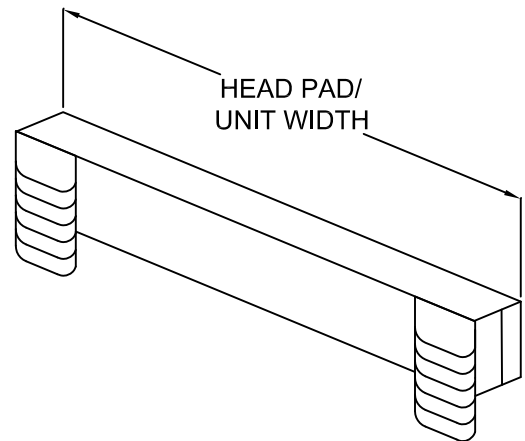
1) **CONCRETE, BRICK, & PRECAST:** USE 1/2" OR 3/8" x 3" EXPANSION ANCHORS ON SIDE PAD BRACKETS. USE THROUGH-BOLT FASTENING IF ANCHORS WILL NOT HOLD, 3/8" THREADED ROD IS RECOMMENDED.

2) **METAL SKIN BUILDING:** THROUGH-BOLT FASTENING REQUIRED. USE STEEL OR WOOD BACK-UP PLATE TO SUPPORT BOLTS, OR ANCHOR THROUGH EXISTING BUILDING HORIZONTAL & VERTICAL STRUCTURAL MEMBERS.



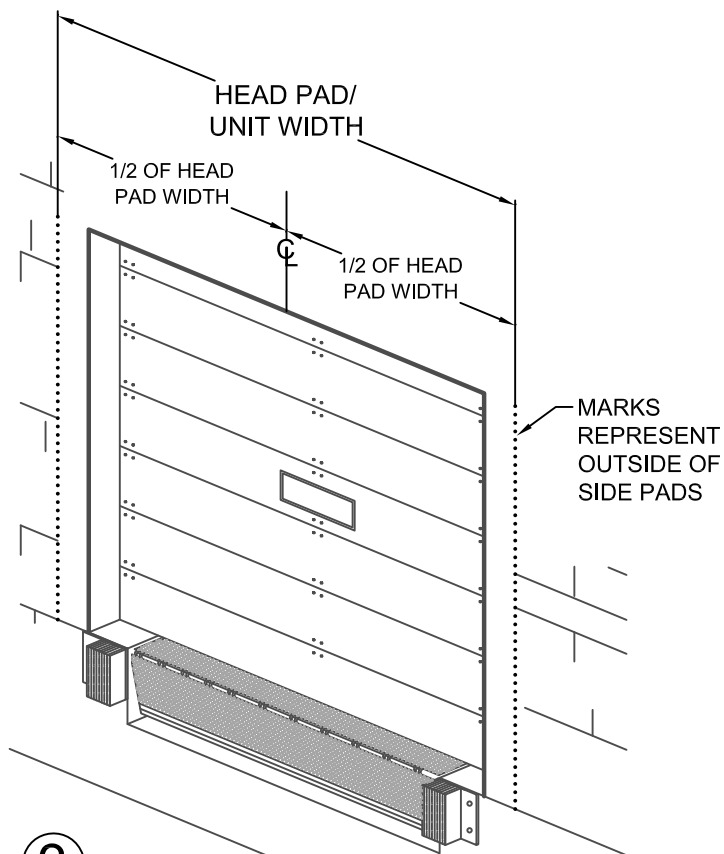
1

DETERMINE CENTERLINE OF DOOR OPENING & MARK LOCATION ON DOCK FLOOR.



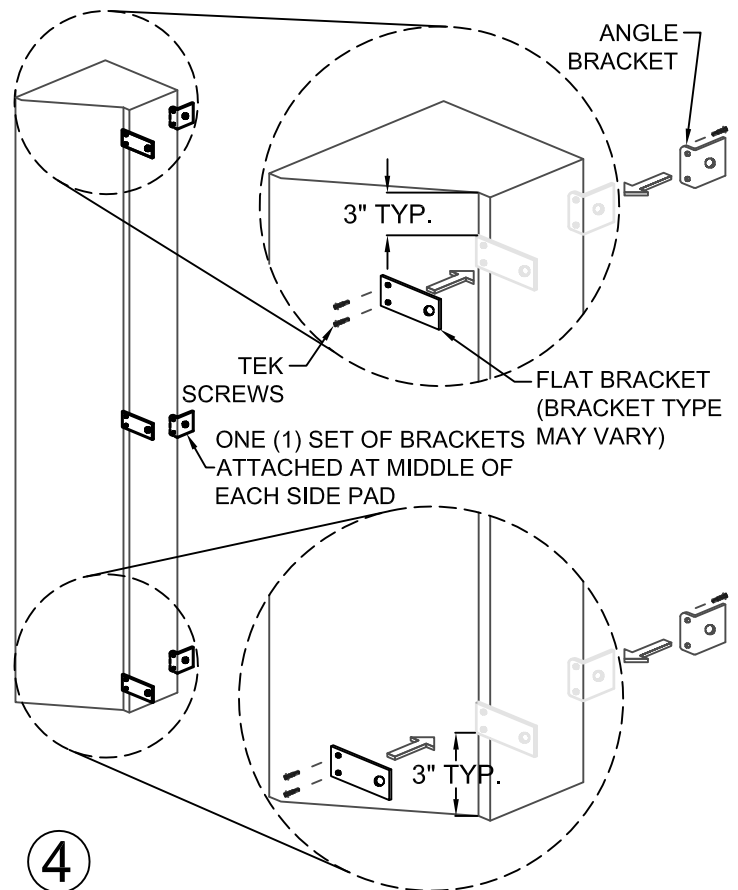
2

DETERMINE HEAD PAD WIDTH.



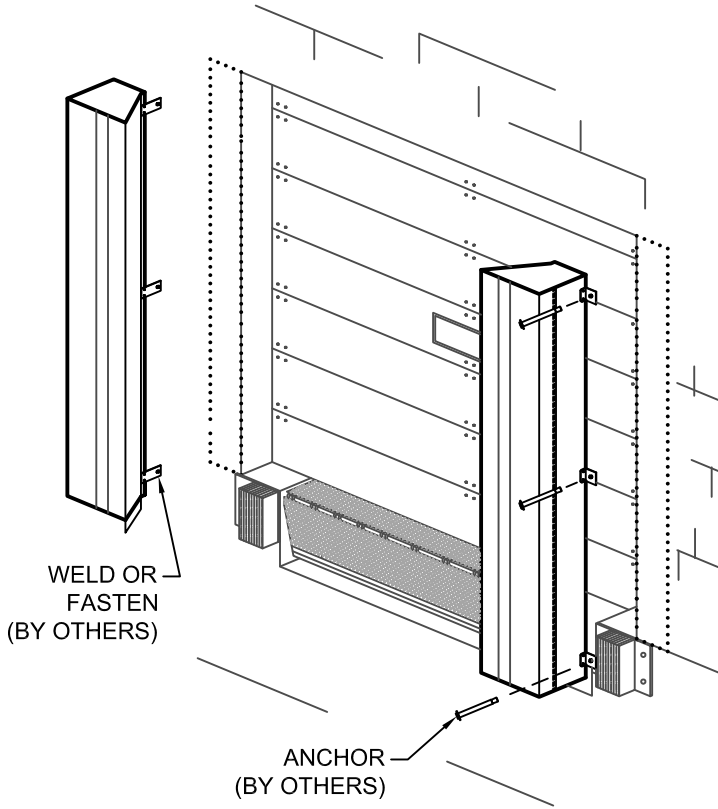
3

DETERMINE 1/2 OF HEAD PAD WIDTH & MARK DISTANCE ON EITHER SIDE OF CENTERLINE.

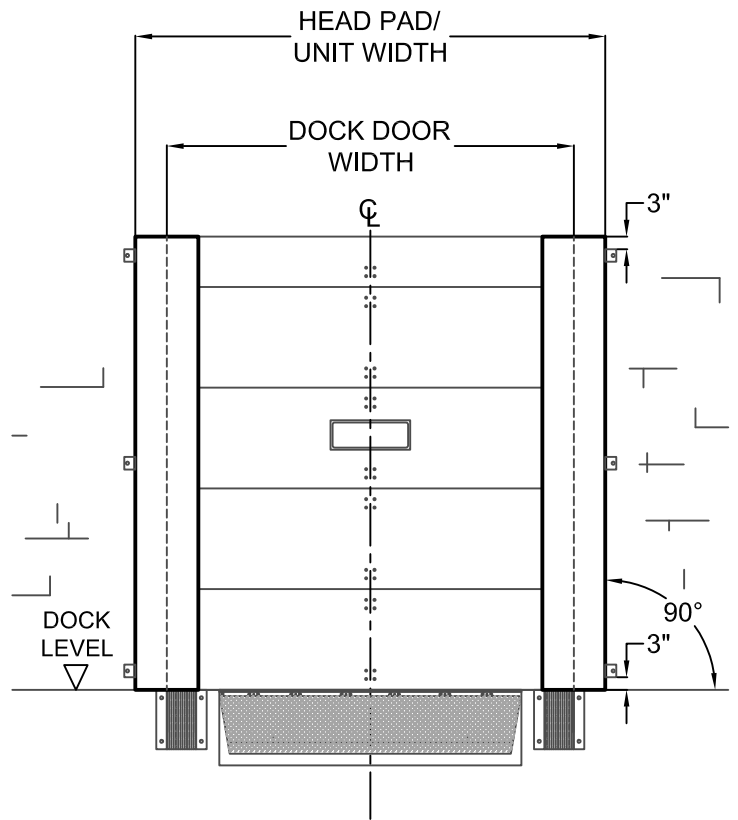


4

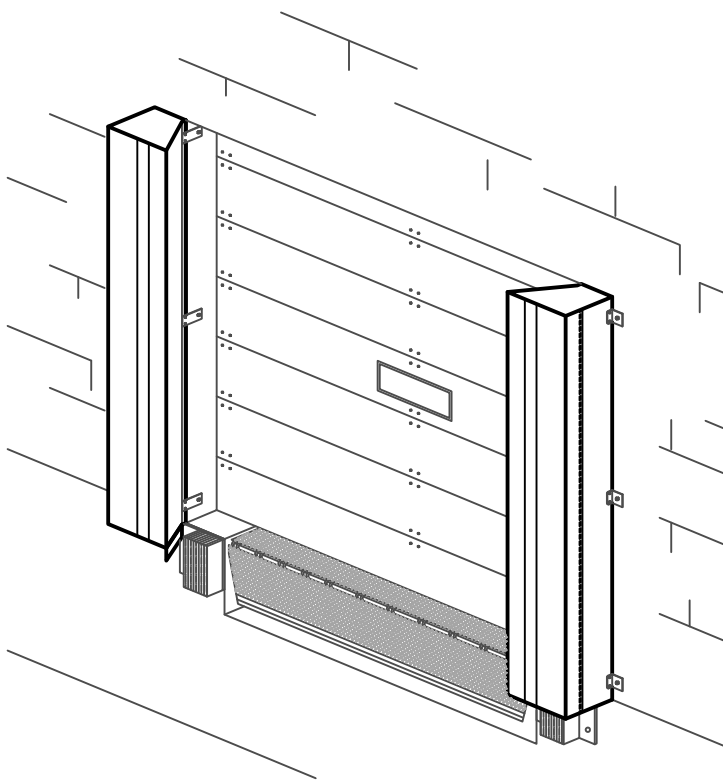
ATTACH THREE (3) SETS OF MOUNTING BRACKETS PER SIDE PAD. BRACKET STYLE WILL VARY. REFERENCE **DOCK SEAL SIDE PAD MOUNTING BRACKET DRAWINGS**.



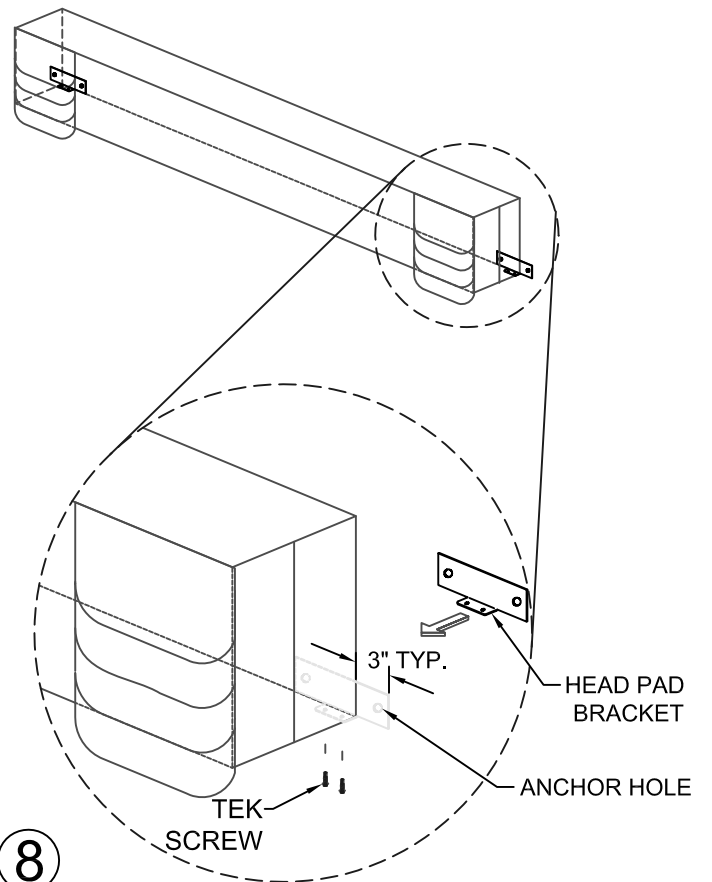
⑤
MOUNT SIDE PADS TO WALL.



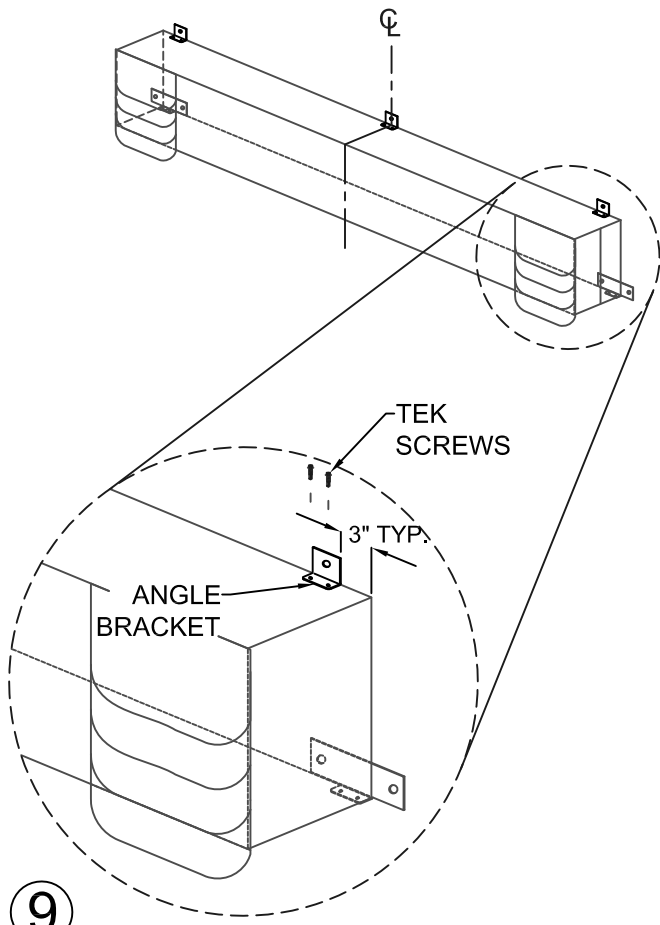
⑥
BOTTOM OF SIDE PADS ARE INSTALLED AT DOCK FLOOR LEVEL OR AT TOP OF RAISED DOCK BUMPERS.



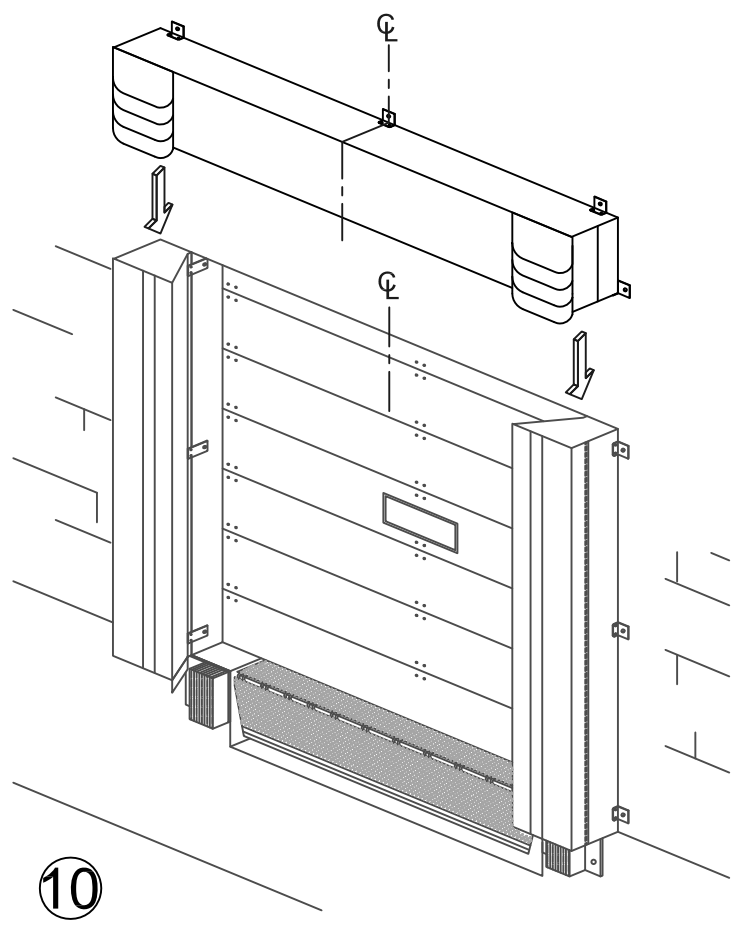
⑦
SIDE PAD TO BE PARALLEL TO DOOR JAMB & PERPENDICULAR TO DOCK FLOOR.



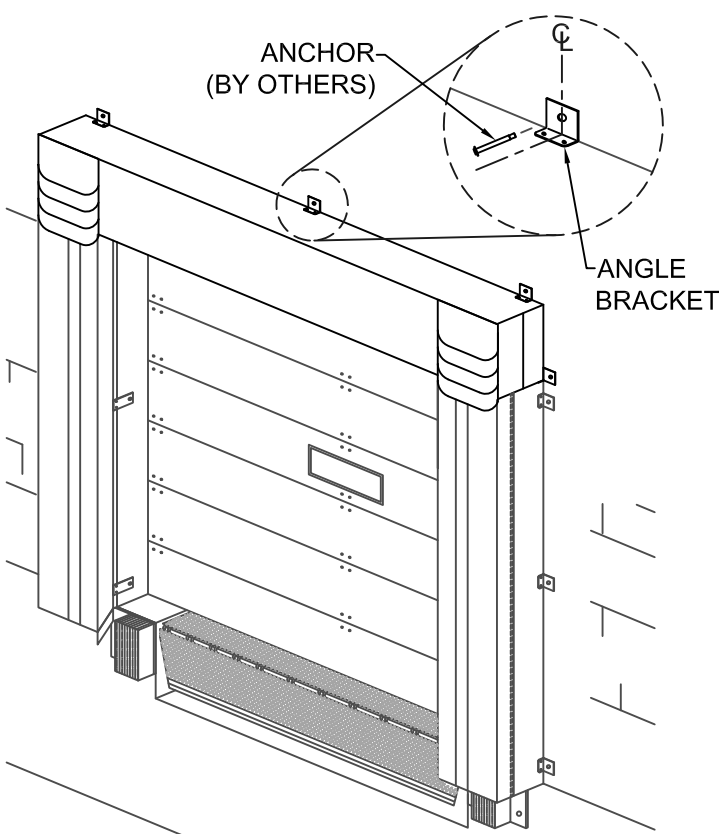
⑧
ATTACH TWO (2) HEAD PAD BRACKETS TO HEAD PAD AT BOTTOM CORNERS.



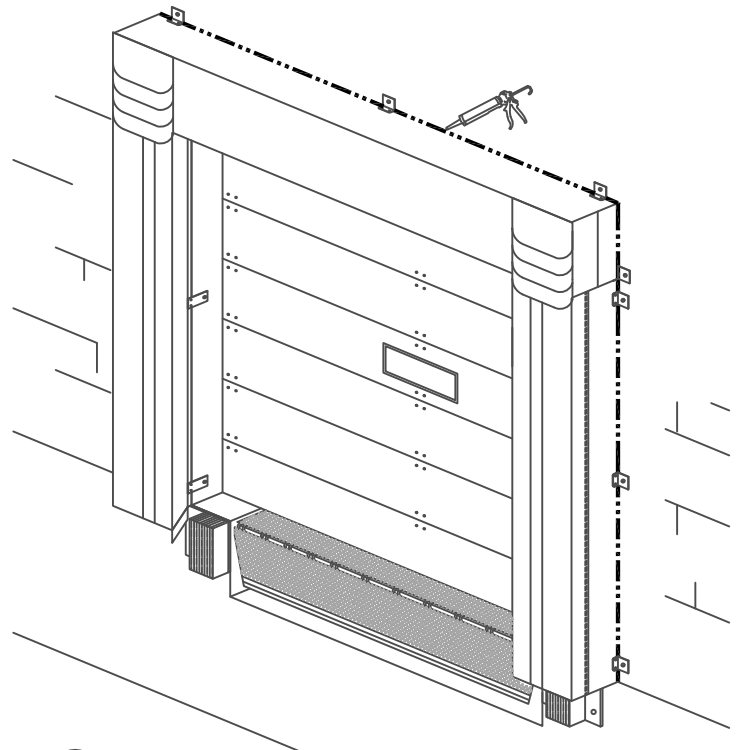
9
 ATTACH THREE (3) ANGLE BRACKETS TO TOP OF HEAD PAD.



10
 CENTER HEAD PAD ABOVE SIDE PADS, APPLY TIGHTLY AGAINST WALL.



11
 ANCHOR HEAD PAD TO BUILDING WALL IN FIVE (5) LOCATIONS.



12
 CAULK BETWEEN TOP OF HEAD PAD AND WALL. SILICONE CAULK RECOMMENDED. (BY OTHERS)



W183 S8253 Racine Avenue
Muskego, WI 53150
Tel: (262) 679-6200 Fax: (262) 679-6210

©2013 4Front Entrematic