



L-SHAPED SIDE PAD FOAM DOCK SEAL WITH HEAD PAD

DOCK SEAL SPECIFICATIONS

MODEL S 3000L

Serco S-3000L dock seal provides seal between internal and external environments. The Serco S-3000L combines the advantages of both a seal and shelter into one dynamic dock seal product. The Unique Serco Design Provides the Insulating Benefits of a Dock Seal plus the Full Access of a Shelter.



Design Highlights

- L-Shaped Sides Compress Around Side of Trailer to Create a Seal Providing Full Width Trailer Access
- Provides Positive Seal Between Internal and External Environments
- Endurance Tested Foam Core is Continuously Bonded to Frame Surface with Flexible, Nonflammable Adhesive
- Wide Selection of Coated Fabrics Provide Maximum Durability
- Highly Resilient, Open Celled Polyurethane Foam Compresses Easily to Extend Seal Life
- Roll-formed Galvanized Steel Framing Reduces Pressure on Building Wall
- All Pads are Vented for Air and Moisture Release
- Full Length Yellow Stripes Guide
- Heavy-Duty, Galvanized Steel Mounting Brackets Included

Project Information

Job Name _____
Address _____
General Contractor _____
Distributor _____
Model _____ Quantity _____

Certified For Construction

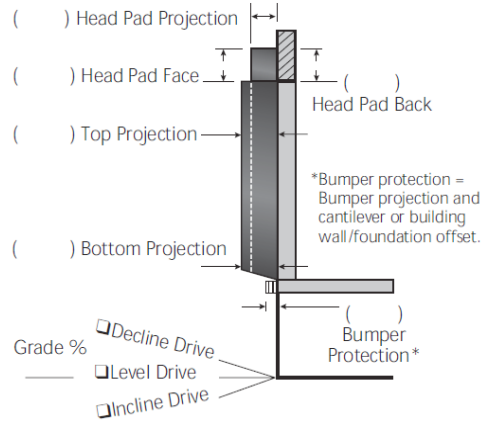
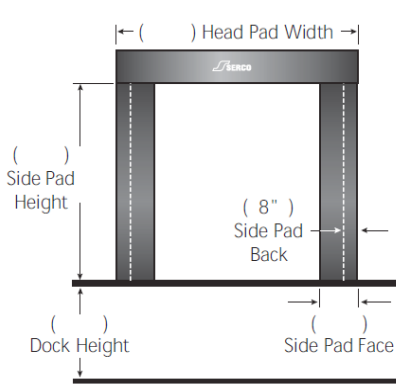
By _____
Company _____
Address _____
Date _____



L-SHAPED SIDE PAD FOAM DOCK SEAL WITH HEAD PAD

DOCK SEAL SPECIFICATIONS

MODEL S 3000L



APPLICATION DATA

Door Width: _____ ft. _____ in.
 Door Height: _____ ft. _____ in.
 Dock Height: _____ ft. _____ in.
 Bumper Protection*: _____ in.
 (*Includes bumper projection and any building wall/foundation offset or cantilever)

TRUCKS AND TRAILERS SERVICED

Width: _____ Max. _____ Min.
 Height: _____ Max. _____ Min.
 Length: _____ Max. _____ Min.
 Hydraulic Tailgate: Yes No
 Rear Step Section: Yes No
 Tailgate/Step Section Size: _____ In.
 Yard Jockeys: Yes No

QUANTITY _____

- Framing** Roll Formed Galvanized Steel
- Head Pad Width** 129" for 9'3" door widths or smaller 135" for 9'4" to 10'0" door widths
- Head Pad Bevel** 12/12 18/18 24/24 12/15 12/18 Guardian™ Head Pad
- Side Pad Height** _____" (Total Inches)
- Side Pad Face** 18" for 9'3" door widths or smaller 135" for 9'4" to 10'0" door widths
- Drop Curtain** None 12" Hook-Loop
- Base Material** 22oz Vinyl 40 oz. Vinyl 40 oz. CSM XL-100™
- Color** Black Tan Brown Blue Green
- Taper** Yes No
- Top Projection** 16" 18" 20" 22" 24" _____"
- Bottom Projection** 16" 18" 20" 22" 24" _____"
- Block Out** None Top Projection _____" Bottom Projection _____"
- Block Out Projection** 2" 4" 6" 8" 10" 12" _____"
- Wear Surface** None Wear Face Head Pad Side Pad
- 22 oz. Vinyl 40 oz. Vinyl 40 oz. CSM XL-100™
- Black Tan Brown Blue Green
- Wear Pleats** None WP4 WP8 WP16 Side Pads Head Pad Corners
- 22 oz. Vinyl 40 oz. Vinyl 40 oz. CSM XL-100™
- Black Tan Brown Blue Green
- Options** Door Numbers Flame Retardant Fabric Flame Retardant Foam
- Mounting Brackets** Flats & Angles Angles 1 1/2" Offsets & Angles

*Conversions: To convert measurements to metric, see formulas below:

Inches x 25.4 = millimeters (Example: 4" x 25.4 = 101.6 mm)

Feet x .3048 = meters (Example: 12' x .3048 = 3.66 m)

*Note: Consult factory for blockout application assistance.

